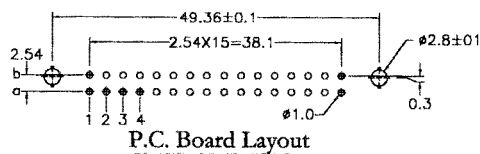
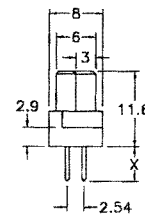
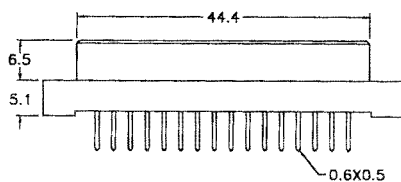
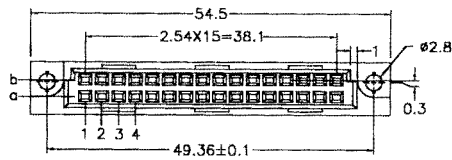
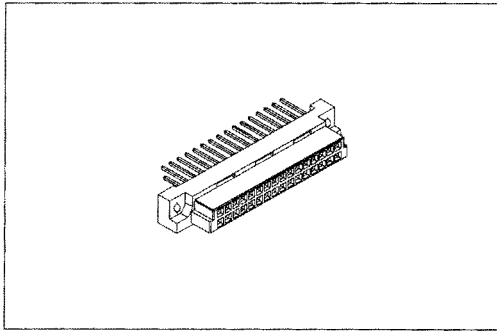


# DIN41612 Half B Type Female



Pitch	X length	Position	Rows with Contacts		Contact Arrange	
			1	2	W1	W2
2.54mm	4.0	32	a	b	b-	a-
	2.5	16	a	-	b-	a-
5.08mm	4.0	16	a	b	b-	a-
	2.5	8	a	-	b-	a-