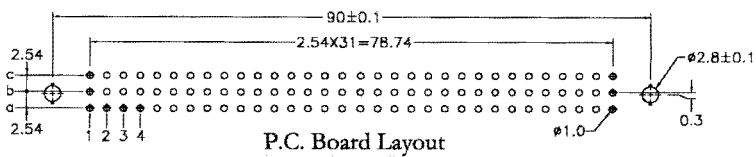
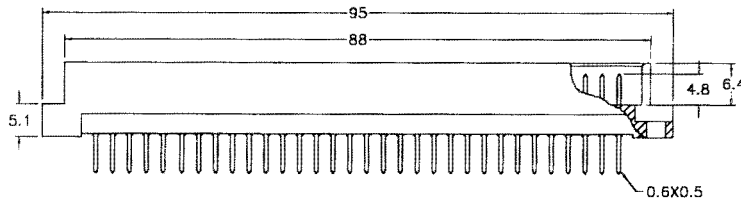
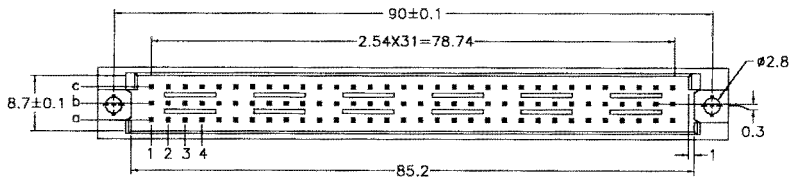
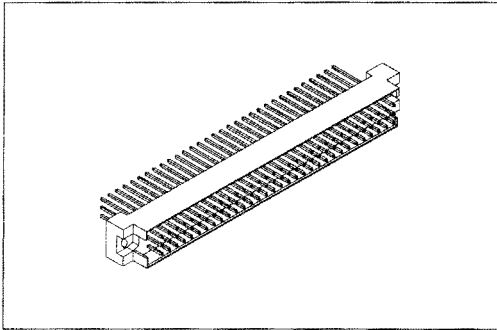


## DIN41612 R Type Male



Pitch	X length	Position	Rows with Contacts		Contact Arrange	
			1	2	W1	W2
2.54mm	96	a b c	4.0	2.5	13	17
	64	a - c				
	32	a - -				
5.08mm	48	a b c				
	32	a - c				
	16	a - -				