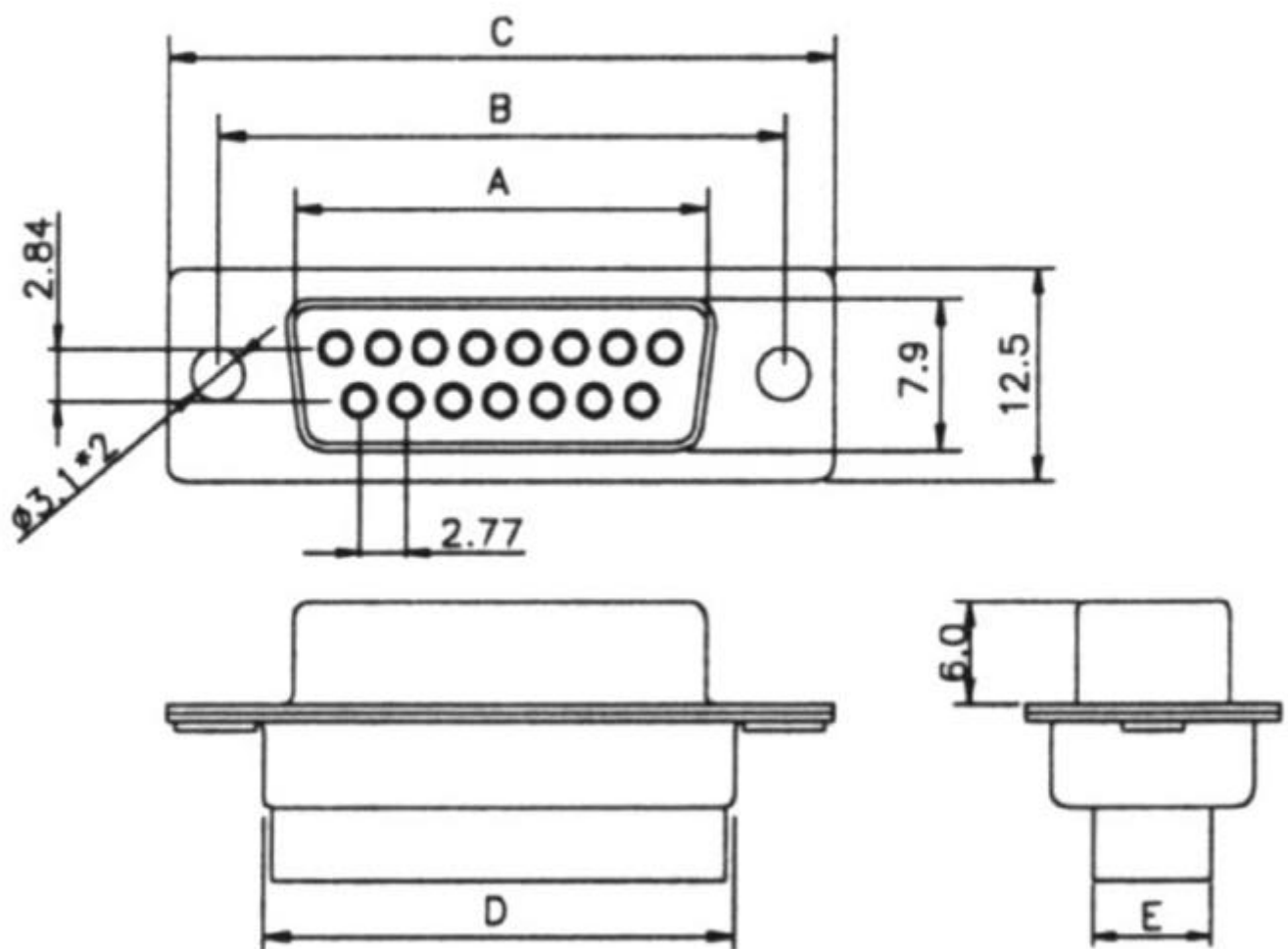


POSITION	A	B	C	D	E
9S	16.30	25.00	30.8	19.2	7.1
15S	24.60	33.30	39.2	27.7	7.1
25S	38.30	47.10	53.1	41.1	7.1
37S	54.80	63.50	69.4	57.3	7.1
50S	72.70	81.30	87.1	74.9	10



(9S~50S)
FEMALE