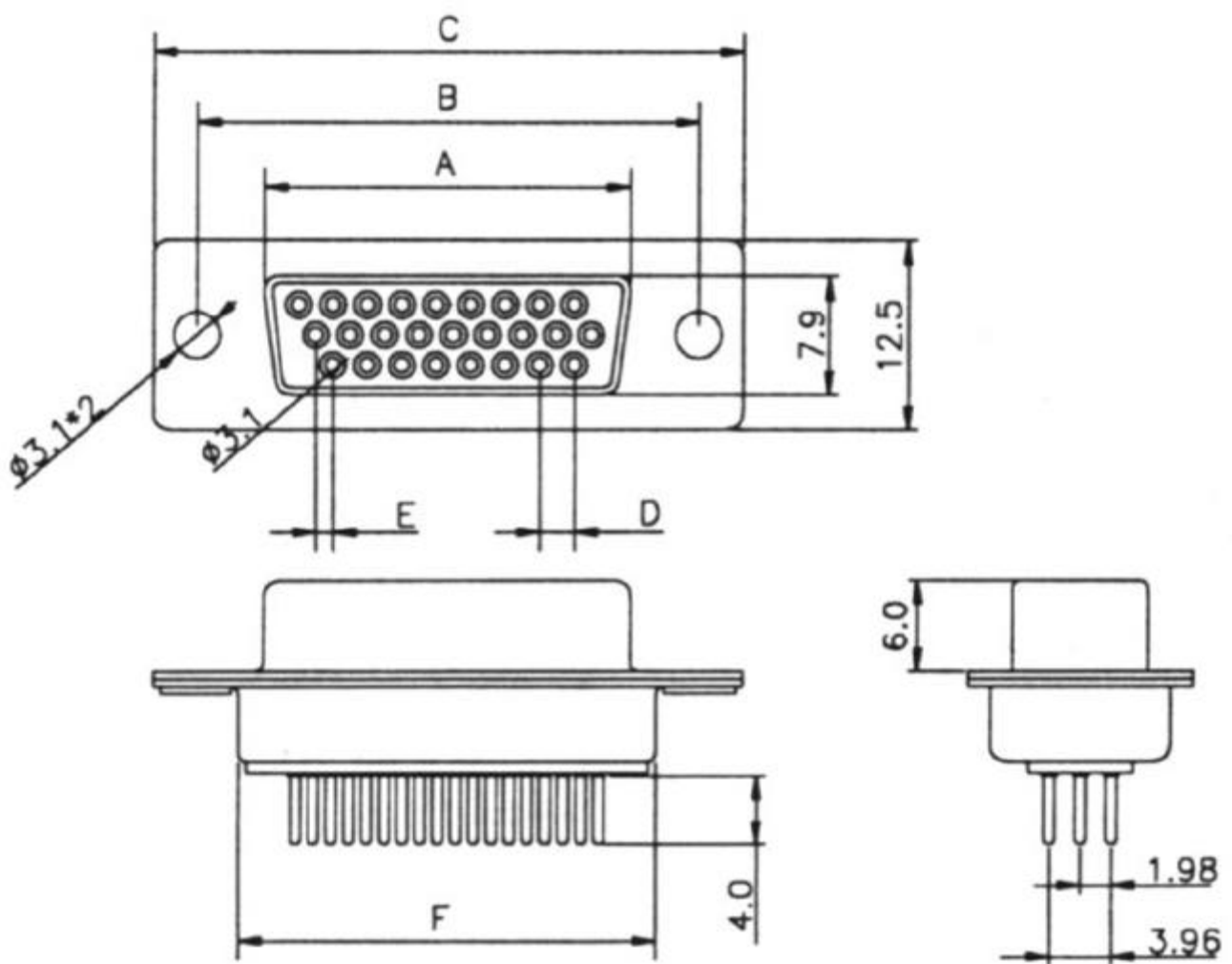


POSITION	A	B	C	D	E	F
15S	16.30	25.00	30.8	2.29	1.14	19.2
26S	24.60	33.30	39.2	2.29	1.14	27.7
44S	38.30	47.10	53.1	2.29	1.14	41.1
62S	54.80	63.50	69.4	2.41	1.20	57.3
78S	52.20	61.00	67.0	2.41	1.20	55.1



(15S~78S)
FEMALE