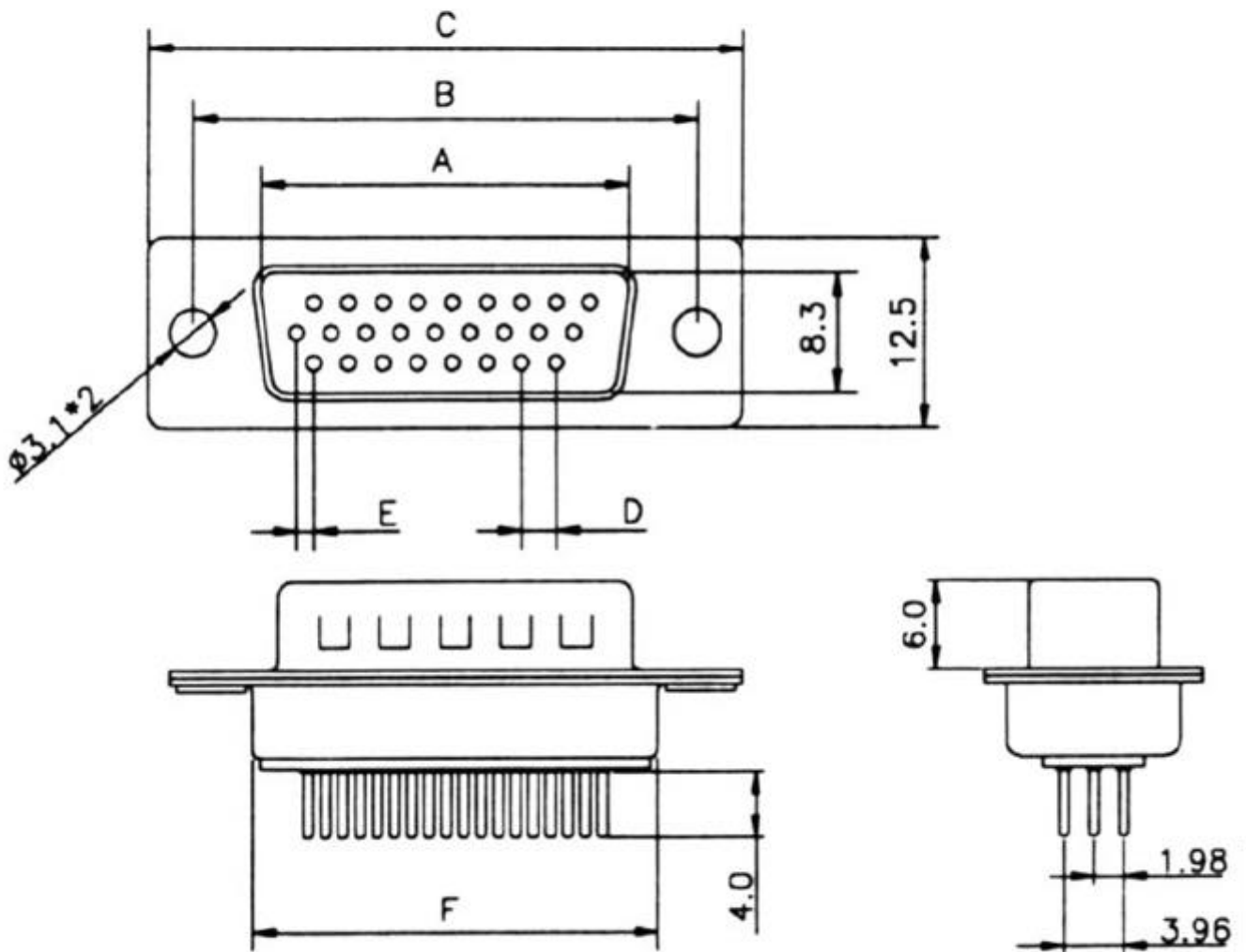


POSITION	A	B	C	D	E	F
15P	16.92	25.00	30.8	2.29	1.14	19.2
26P	25.25	33.30	39.2	2.29	1.14	27.7
44P	38.96	47.10	53.1	2.29	1.14	41.1
62P	55.42	63.50	69.4	2.41	1.20	57.3
78P	52.81	61.00	67.0	2.41	1.20	55.1



(15P~78P)  
MALE