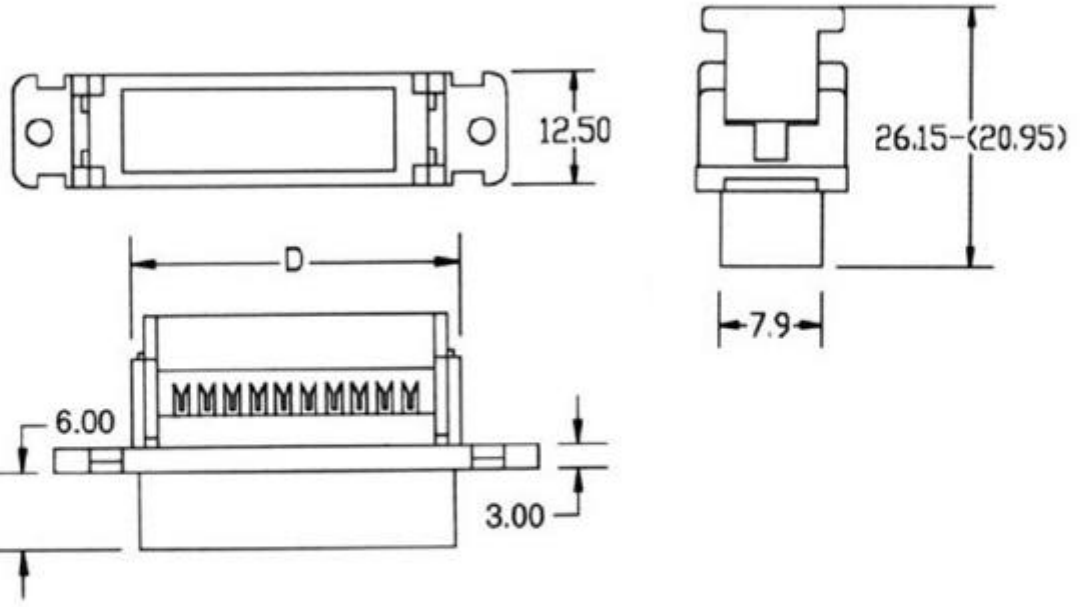


Plastic Shell (Female)



Polzahl Contacts	A	B	C	D
9 (F)	30.81	24.88	16.33	19.28
15 (F)	39.14	33.32	24.66	27.51
25 (F)	53.04	47.04	38.38	41.30
37 (F)	69.32	63.50	54.84	57.71