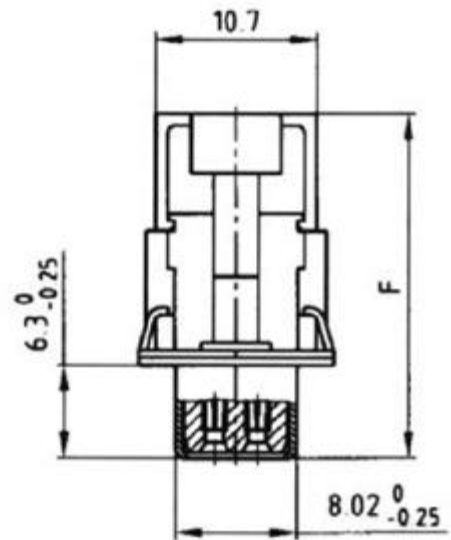
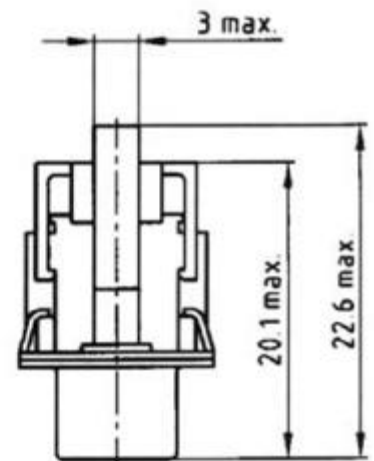
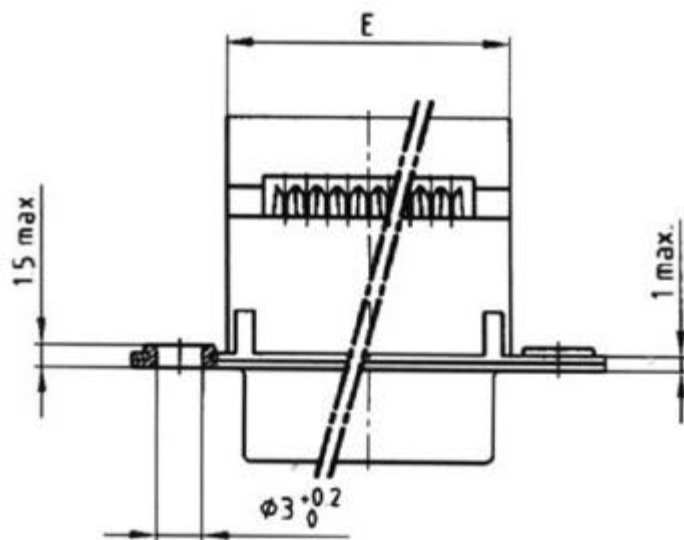


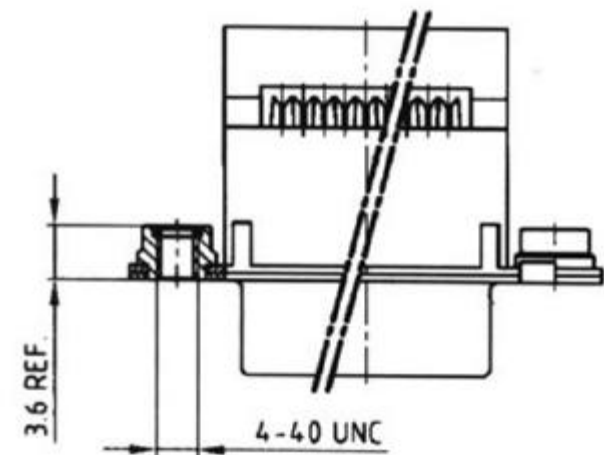
female



Dimension with upper part pre-pressed



Dimension with upper part pressed and strain relief



Strain relief

No. of pos.	A - 0.76	B - 0.25	C	E - 0.1	F max.
9	31,19	16,46	25,00 ± 0.13	18,73	23,3
15	39,52	24,79	33,30 ± 0.15	26,86	22,6
25	53,42	38,50	47,04 ± 0.13	40,78	23,3
37	69,70	55,96	63,50 ± 0.13	57,04	22,6