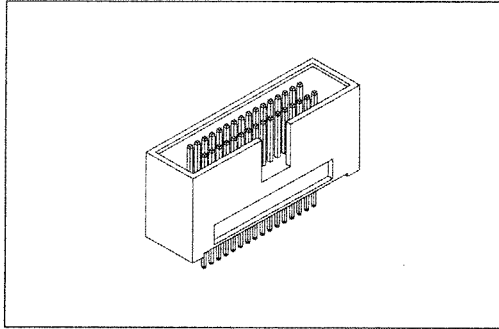


3215 Series

Box Header 1.27mmX2.54mm(0.050" X0.100")



Features:

- * Straight type.
- * Fully shrouded offers excellent protection.
- * 4 row 1.27mmX2.54mm(0.05" X0.10") PCB Layout.
- * Choices of 20,26,32,34,40,50,52,60,68,80,100 pin.

Material:

Housing: 30% Glass filled PBT UL94V-0.

Contacts: Brass.

Plating: Gold plated over nickel.

Tin plated over nickel.

Selective gold plated: Gold plated on mating area and tin plated on solder tail.

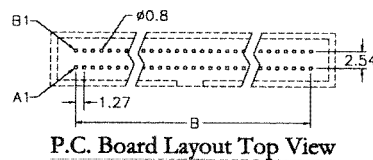
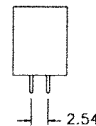
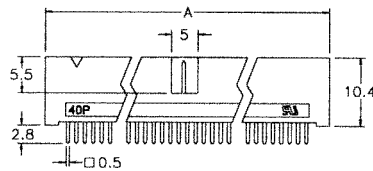
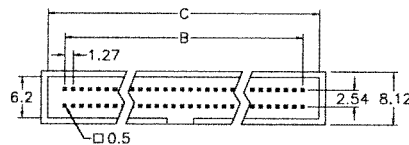
Electrical Characteristics:

Current Rating: 0.5 AMP.

Insulator Resistance: 5000M Ω min. at DC 500V.

Contact Resistance: 20m Ω max. at DC 100mA.

Operating Temperature: -55 $^{\circ}$ C ~ +105 $^{\circ}$ C.



Position	Dimension		
	A	B	C
20	20.95	11.43	18.75
26	24.76	15.24	22.56
32	28.57	19.05	26.37
34	29.84	20.32	27.64
40	33.65	24.13	31.45
50	40.00	30.48	37.80
52	41.27	31.75	39.07
60	46.35	36.83	44.15
68	51.43	41.91	49.23
80	59.05	49.53	56.85
100	71.75	62.23	69.55