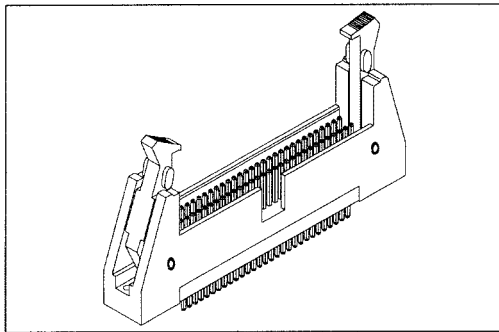


3212 Series

Box Header With Ejectors

1.27mmX2.54mm(0.050" X0.100")


Material:

Housing:30% Glass filled PBT UL94V-0.

Contacts:Brass.

Plating:Gold plated over nickel.

Tin plated over nickel.

Selective gold plated: Gold plated on mating area and tin plated on solder tail.

Electrical Characteristics:

Current Rating:0.5 AMP.

Insulator Resistance:5000M Ω min. at DC 500V.

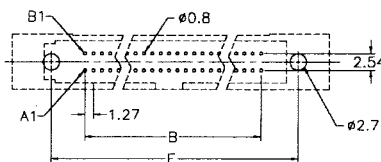
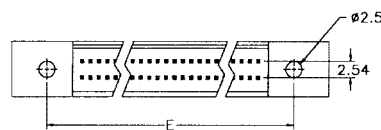
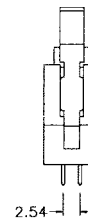
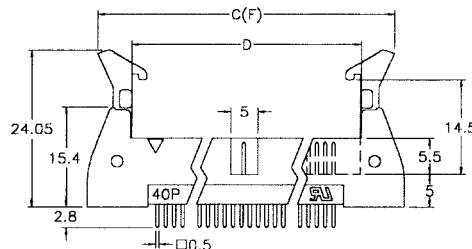
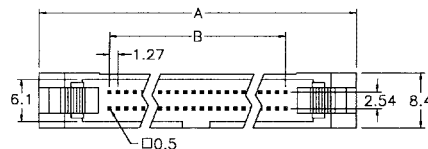
Contact Resistance:20m Ω max. at DC 100mA.

Operating Temperature:-55 $^{\circ}$ C~+105 $^{\circ}$ C.

Features:

- * Straight Type.
- * Optional Eject lever 24.05mm(0.95").
- * 1.27mmX2.54mm(0.05" X0.100") PCB layout.

Mates with: 1202,1203.



P.C. Board Layout Top View

Position	Dimension					
	A	B	C	D	E	F
20	32.36	11.43	29.35	18.75	21.59	48.95
26	36.18	15.24	33.16	22.56	25.40	52.76
32	39.98	19.05	36.97	26.37	29.21	56.57
34	41.25	20.32	38.24	27.64	30.48	57.84
40	45.06	24.13	42.05	31.45	34.29	61.65
50	51.41	30.48	48.40	37.80	40.64	68.00
52	52.68	31.75	49.67	39.07	41.91	69.27
60	57.76	36.83	54.75	44.15	56.99	74.35
68	62.84	41.91	59.83	49.23	62.07	79.43
80	70.46	49.53	67.45	56.85	69.69	87.05
100	83.16	62.23	80.25	69.55	82.39	99.75