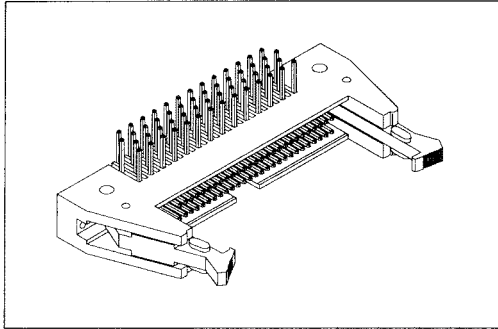


3213 Series

Box Header With Ejectors

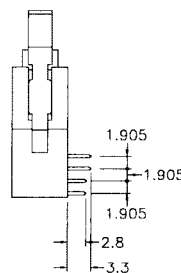
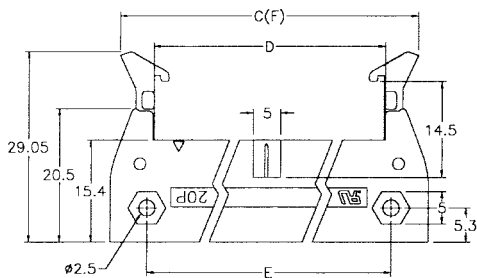
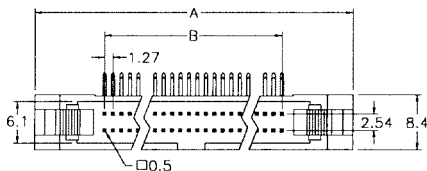
1.27mmX2.54mm(0.050" X0.100")



Features:

- * Right Angle Type.
- * Optional Eject lever 24.05mm(0.95").
- * 4 row 1.27mm(0.05") zigzag PCB layout

Mates with: 1202,1203



Material:

Housing: 30% Glass filled PBT UL94V-0.

Contacts: Brass.

Plating: Gold plated over nickel.

Tin plated over nickel.

Selective gold plated: Gold plated on mating area and tin plated on solder tail.

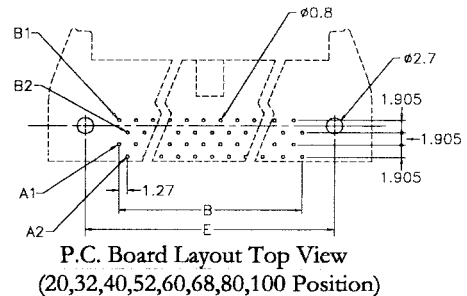
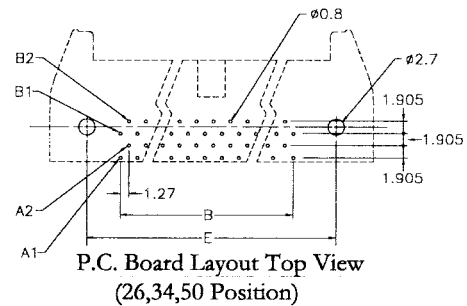
Electrical Characteristics:

Current Rating: 0.5 AMP.

Insulator Resistance: 5000MΩ min. at DC 500V.

Contact Resistance: 20mΩ max. at DC 100mA.

Operating Temperature: -55°C ~ +105°C.



Position	Dimension					
	A	B	C	D	E	F
20	30.95	11.43	29.35	18.75	21.59	48.95
26	34.76	15.24	33.16	22.56	25.40	52.76
32	38.57	19.05	36.97	26.37	29.21	56.57
34	39.84	20.32	38.24	27.64	30.48	57.84
40	43.65	24.13	42.05	31.45	34.29	61.65
50	50.00	30.48	48.40	37.80	40.64	68.00
52	51.27	31.75	49.67	39.07	41.91	69.27
60	56.35	36.83	54.75	44.15	56.99	74.35
68	61.43	41.91	59.83	49.23	52.07	79.43
80	69.05	49.53	67.45	56.85	59.69	87.05
100	81.75	62.23	80.25	69.55	72.39	99.75